



ATLANTA

安装, 操作, 维护说明书

BWS 119

4100-001-12.93

Abteilung	
Änd. Index	
Datum	1.1.2017

Series 58 HP Servo Worm-Gear Units
 Translation from the German original

Seite	3	24
Name	Wes	29.04.15
freigegeben	Tim	29.04.15

Company address

ATLANTA Antriebssysteme
 E. Seidenspinner GmbH & Co. KG
 Carl-Benz Street 16
 74321 Bietigheim-Bissingen

Phone 0049(0)7142-7001-0
 Telefax 0049(0)7142-7001-99
 E-Mail info@atlantagmbh.de
 Internet <http://www.atlantagmbh.de>

General

Who should study these instructions?

These instructions are addressed to all persons installing, operating or maintaining the Series 58 HP Servo Worm-Gear Units.

You must not use the Series 58 HP Servo Worm-Gear Units before having read and understood these operating and maintenance instructions. Please give the safety instructions also to other persons.

Safety notes

The following signal symbols and words are used in the instructions to warn you and/or inform you of something.



DANGER warns you about high injury hazards



WARNING warns you about possible injury hazards



CAUTION warns you about minor injury hazards and/or damage hazards



Environmentally hazardous - warns you about a pollution hazard for the environment



Transport warns you of injury hazards when transporting and handling bulky object

Other signs and symbols



by an "instruction to act" you are asked to do something



by a „hint“ you are informed of a possible simplification or improvement

When operated in areas with explosion hazard the instructions identified by the symbol are to be observed. These were prepared on the basis of the ignition danger rating KGA 102.



ATLANTA

安装, 操作, 维护说明书

BWS 119

4100-001-12.93

Abteilung	
Änd. Index	
Datum	1.1.2017

Series 58 HP Servo Worm-Gear Units
Translation from the German original

Seite	4	24
Name	Wes	29.04.15
freigegeben	Tim	29.04.15

Exclusion of liability

The manufacturer will not assume any liability for damage or injuries resulting from improper use of the Series 58 HP Servo Worm-Gear Unit.

Any improper manipulations and other acts not in accordance with these instructions may impair the quality of the product. This will lead to the exclusion of liability for material defects against the company ATLANTA Antriebssysteme E. Seidenspinner GmbH & Co. KG.

Modifications, conversions

Modifications and/or conversions of the gear unit are not permissible unless expressly approved by ATLANTA in writing.

EC Machinery Directive

As defined by the EC Machinery Directive 2006/42/EG the gear unit is not considered an autonomous machine but a component to be installed in machines.

Within the purview of the EC directive the unit must not be operated unless the machine into which this product is installed fulfills the requirements of the directive.

Technical changes

ATLANTA Antriebssysteme E. Seidenspinner GmbH & Co. KG reserve the right to make technical changes to improve the product.

Proper use



The ATLANTA series 58 HP high-performance worm-gear unit may only be used for speed and torque conversion in machines and mechanical equipment under atmospheric pressure conditions. It must not be used outdoors.

The permissible input speed and output torque as well as the permissible additional loads must not be exceeded. The layout instructions in the Atlanta catalogue must be observed. The maximum torques permitted are listed in our catalogue or our website: <http://www.atlantagmbh.de>



The gear unit must not be used in combination with combustion engines – danger of overheating, inadmissible shock loading!



The gear unit is designed for input drive via worm shaft with ATLANTA E-servo special clutch or ATLANTA special clutch. The input drive via worm wheel (hollow output shaft) may be chosen only after consulting ATLANTA. The efficiency rating indicated is based upon input drive via worm shaft.




The gear unit is not self-locking / self-braking.



The gear unit must not be used outdoors or under water.



The surface temperature of the gear unit must not exceed 80° C during operation. When used in areas with  explosion hazard the temperature of the housing must not exceed 65°C.



ATLANTA

安装, 操作, 维护说明书

BWS 119

4100-001-12.93

Abteilung		Series 58 HP Servo Worm-Gear Units Translation from the German original	Seite	5	24
Änd. Index			Name	Wes	29.04.15
Datum	1.1.2017		freigegeben	Tim	29.04.15

- ⚠ If necessary, measure the surface temperature and warn or switch off when it exceeds 65°C
- ☺ The gear unit is designed for intermittent operation (S3 acc. to DIN EN 60034-1).
- ☺ Continuous operation (S1 acc. to DIN EN 60034-1) is not permissible without the manufacturer's written approval. Continuous operation is defined by the duty cycle. If it exceeds 30% or is longer than 20 minutes, it is considered continuous operation.
- ⚠ When used in areas with explosion hazard the instructions identified by the ⚠ symbol are to be observed.

Improper use

Whenever the above mentioned limits are exceeded (especially higher torque or speed), this shall be considered improper use which is forbidden.

It is forbidden to operate the gear unit if:

- it is not correctly mounted (e.g. fastening of the motor),
- it is not properly installed (e.g. fixing-screws),
- the gear unit is dirty,
- there is no sufficient lubrication.

Qualified personnel

Some residual danger for persons and objects may emanate from the Series 58 HP Servo Worm-Gear Unit. Therefore only skilled and trained personnel being aware of the possible risks may carry out mounting, installation, start-up, service, and maintenance work.

The personnel must have the necessary qualification for the work to be done and must be familiar with mounting, installation, starting up and operating the product. In addition they must carefully read, understand and observe the operating instruction and, in particular, the safety instructions.

The following works should also be carried out only by qualified personnel:

Transport, storage, erection/installation, connection, start-up, service, maintenance

General safety instructions

We do not claim these safety instructions to be complete. In case of questions or problems please contact ATLANTA Antriebssysteme E. Seidenspinner GmbH & Co. KG.

The gear unit incorporates the latest technological development at the time of delivery and can be principally regarded as safe to operate.



Improper manipulations may lead to injuries and damages.

- ☞ Make sure that the gear unit is only installed, serviced, or disassembled by specially trained skilled personal.



Foreign matter flung about may cause serious injuries.

- ☞ Make sure that no foreign matter or tools are near the gear unit before starting operation.



ATLANTA

安装, 操作, 维护说明书

BWS 119

4100-001-12.93

Abteilung	
Änd. Index	
Datum	1.1.2017

Series 58 HP Servo Worm-Gear Units
Translation from the German original

Seite	6	24
Name	Wes	29.04.15
freigegeben	Tim	29.04.15



Contact with hot surfaces may cause burns.

☞ Never touch gear units when they have high operating temperatures, or use suitable protective equipment (e.g. gloves)



Rotating parts may cause injuries. Pulling-in risk!

☞ Keep sufficient distance to rotating machine parts.



Never install or operate defective products.

☞ In case of damage please complain immediately.

Short description

The ATLANTA Series 58 HP Servo Worm-Gear Unit was developed for use with three-phase AC and DC servo motors. It features a low-clearance gearing with possible readjustment. The light-metal casing ensures optimal heat dissipation. Robust bearings and an excellent stiffness permit the transmission of high torques and additional forces. The gear unit is supplied test-run, tightness-checked and thus ready for operation. The gear unit is available with different reduction ratios. Within one gear unit size and design all components, except for the set of wheels, are the same. The last 2 digits of the item number stand for the nominal reduction ratio. The exact reduction ratio can be seen from the table below.

Item no.	Actual gear reduction	Applicable to
xx xx x05	19/4 = 4,75	Centere distance 50;63;80;100 mm
xx xx x07	27/4 = 6,75	all Centere distance
xx xx x09	37/4 = 9,25	all Centere distance
xx xx x15	29/2 = 14,5	all Centere distance
xx xx x20	39/2 = 19,5	all Centere distance
xx xx x29	29/1 = 29,0	all Centere distance
xx xx x39	39/1 = 39,0	all Centere distance
xx xx x50	50/1 = 50,0	Centere distance 50 mm
xx xx x52	52/1 = 52,0	Centere distance 63;80;100;125 mm

This gear unit is available with 2 output variations:

- hollow output shaft with key connection
- hollow output shaft for clamped connections



ATLANTA

安装, 操作, 维护说明书

BWS 119

4100-001-12.93

Abteilung	
Änd. Index	
Datum	1.1.2017

Series 58 HP Servo Worm-Gear Units
Translation from the German original

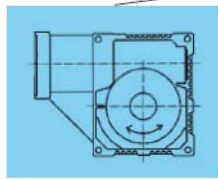
Seite	7	24
Name	Wes	29.04.15
freigegeben	Tim	29.04.15

Item number

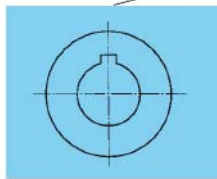
The item number is composed as follows:

Example HP servo worm-gear unit $a=80\text{mm}$, $i=19.5$ key or shrink-disc version

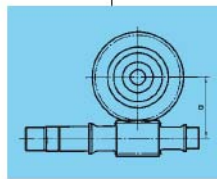
58 05 020



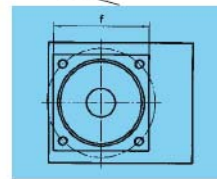
High-performance gear units



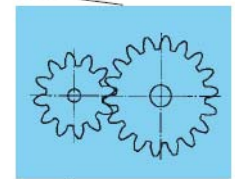
Keyway design



Centre distance $a_o=80\text{ mm}$

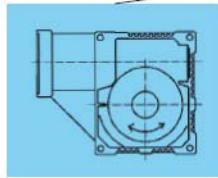


Gear unit variation



Ratio $i=19,5$

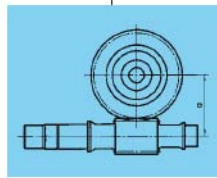
58 15 020



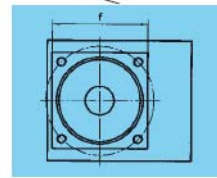
High-performance gear units



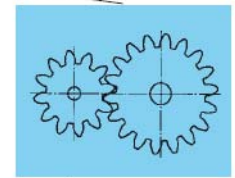
Shrink-disc design



Centre distance $a_o=80\text{ mm}$



Gear unit variation



Ratio $i=19,5$

Identification

The gear unit is identified by a nameplate (see below):

	ATLANTA Antriebssysteme
Typ ①	P ③ kW
i ②	<input type="text"/>
m ⑤ kg	<input type="text"/>
	n_1 ④ U/min
	Nr. ⑥

- ① Type
- ② Gear ratio
- ③ Max. performance for S3 operation [kW]
- ④ Max. speed for S3 operation [min^{-1}]
- ⑤ Mass [kg]
- ⑥ Serial number



ATLANTA

BWS 119

安装, 操作, 维护说明书

4100-001-12.93

Abteilung	
Änd. Index	
Datum	1.1.2017

Series 58 HP Servo Worm-Gear Units
Translation from the German original

Seite	8	24
Name	Wes	29.04.15
freigegeben	Tim	29.04.15

Alternatively:

ATLANTA
74321 Bietigheim-Biss.

⊕ Typ ① i ② ⊕

P ③ kW n₁ ④ U/min

m ⑤ kg Nr. ⑥ |

- ① Type
- ② Gear ratio
- ③ Max. performance for S3 operation [kW]
- ④ Max. speed for S3 operation [min⁻¹]
- ⑤ Mass [kg]
- ⑥ Serial number

A separate oil-rating plate specifies the type of oil:

ATLANTA Antriebssysteme
Synthetischer Schmierstoff
Klübersynth GH 6-220
Shell Tivela S 220
Energol SG-XP 220
Aral Degol GS 220
nicht mischbar mit Mineralöl

Alternatively:

ATLANTA
74321 Bietigheim-Bissingen
Synthetischer Schmierstoff
nicht mischbar mit Mineralöl
z.B. Klübersynth GH 6-220
Shell Tivela S 220, Aral Degol GS 220,
BP Energol SG XP 220

⊕ When used in ⊕ areas with explosion hazard the gear unit must be adequately identified by a means of a nameplate. Only then it may be used in such areas:

ATLANTA Antriebssysteme

Typ P kW

⊕ **CE** **⊕** II 3 G T4 / II 3 D T 130°C ⊕

i n₁ U/min

m kg Nr.

Alternatively with supplementary nameplate:

⊕ **CE** **⊕** II 3 G T4 and II 3 D T 130 °C ⊕



ATLANTA

安装, 操作, 维护说明书

BWS 119

4100-001-12.93

Abteilung	
Änd. Index	
Datum	1.1.2017

Series 58 HP Servo Worm-Gear Units
Translation from the German original

Seite	9	24
Name	Wes	29.04.15
freigegeben	Tim	29.04.15

Tightening torques

All screw connections for which tightening torques are specified are to be tightened and checked with a calibrated torque wrench. The tightening torque tables are contained in the relevant books. Should screws acc. to DIN EN ISO 4762 be employed, you can use the following table for the countersunk holes:



If you use an internal Standard to tighten the screws by using 90% of the strength of the screw than you have to use a suitable washer /sleeve

Hexag. socket-head screws DIN EN ISO 4762 Strength cl. 8.8/aluminium housing	M8	M10	M12	M16
Tightening torque in Nm ^{*)}	19	40	45	117
Tightening torque in lbf in ^{*)}	166	354	398	1035.5

For the threaded holes:

(Effective length of thread min. $1.5 \times d_{\text{enn}}$ / bearing surface steel with min. $p_G > 500 \text{ N/mm}^2$)

Hexag. socket-head screws DIN EN ISO 4762 Strength cl. 8.8	M8	M10	M12	M16
Tightening torque in Nm ^{*)}	23	46	80	195
Tightening torque in lbf in ^{*)}	203	407	708	1725

^{*)} Use only calibrated torque wrenches! If the tightening torque is too low, the required torque will not be transmitted. If the tightening torque is too high, the screws will be overstrained and become unusable.

Check list - start-up

Before starting up

What has to be checked?	Checked
Delivery: <ul style="list-style-type: none"> • Are the supplies in conformity with the consignment note? <ul style="list-style-type: none"> – Any transport damage should be reported immediately to the carrier. – Obvious defects / incompleteness should be reported immediately to ATLANTA Antriebssysteme E. Seidenspinner GmbH & Co. KG . 	
Application in areas with explosion hazard: <ul style="list-style-type: none"> • Are the following data on the nameplate of the gear unites in conformity with the permissible „Ex“ application area on the site? <ul style="list-style-type: none"> – Explosion group – Category – Classification gas/dust (zone) – Temperature class – max. surface temperature 	
Ambient temperature: <ul style="list-style-type: none"> • Is the ambient temperature range acc. to the data on the lubricant table observed? <ul style="list-style-type: none"> – The max. ambient temperature of 40°C must not be exceeded throughout the whole operating time. – The temperature must not fall below the min. ambient temperature of -10°C throughout the whole operating time. 	



ATLANTA

安装, 操作, 维护说明书

BWS 119

4100-001-12.93

Abteilung		Series 58 HP Servo Worm-Gear Units Translation from the German original	Seite	10	24
Änd. Index			Name	Wes	29.04.15
Datum	1.1.2017		freigegeben	Tim	29.04.15

Ventilation:	
<ul style="list-style-type: none"> Is sufficient ventilation of the gear unit ensured? 	
Ex Input and output drive elements:	
<ul style="list-style-type: none"> Are all input and output drive elements to be mounted suitable for the specific „ex“ protection use? 	
Nameplate information:	
<ul style="list-style-type: none"> Are the data on the gear unit nameplate not exceeded? 	

During start-up

What has to be checked?	Checked
Environment: <ul style="list-style-type: none"> It must be ensured that there are no atmospheres, oils, acids, gases, vapours, or combustible dusts around which may explode! 	
Temperature measurement: The temperature must be measured after 3 hours of operation under max. operating load conditions! <ul style="list-style-type: none"> The temperature measurements shall be taken in the input area in places which are protected from the cooling air current. It is advisable to measure in various places in order to determine the maximum. The absolute temperature of 80°C on the surface of the gear unit must not be exceeded so that the thermal stress on shaft seals and lubricants is kept low; this has a positive influence upon the service life. 	

Start-up / operation

Make sure that the following preconditions for the operation are fulfilled:

- The control and protective systems must not be shut off. This applies also for trial runs and start-up operation.
- The gear units must not be operated under the following ambient conditions:
 - Explosive atmosphere (Exception CE **Ex** II 3 G T4 / II 3 D T 130° C),
 - oils,
 - acids,
 - gases (Exception CE **Ex** II 3 G T4 / II 3 D T 130° C)
 - vapours,
 - radiation
- Depending upon the lubricants used the ambient temperature must be between -10°C and +40°C. If the ambient temperatures lie outside the permissible range, get into contact with ATLANTA Antriebssysteme E. Seidenspinner GmbH & Co. KG.
- The gear units must not be operated unless sufficient ventilation is ensured in order to avoid any accumulation of heat.

Ex When used in areas with explosion hazard, the operator must ensure that the surface temperature of the gear unit does not exceed 65°C; if necessary, control the surface temperature of the housing.



ATLANTA

安装, 操作, 维护说明书

BWS 119

4100-001-12.93

Abteilung		Series 58 HP Servo Worm-Gear Units Translation from the German original	Seite	11	24
Änd. Index			Name	Wes	29.04.15
Datum	1.1.2017		freigegeben	Tim	29.04.15



CAUTION

The surface of the gear unit can reach temperatures of more than 65°C. during operation and cause burns. The person installing the gear unit must take care that persons cannot be injured due to hot surfaces.



DANGER

Rotating parts can catch pieces of clothing, hair, and members of the body and injure persons. The person installing the gear unit must take care that persons cannot be injured rotating parts.

Maintenance



Accidental starting of the gear unit while maintenance work is being carried out can lead to serious accidents.

☞ Make sure that nobody can start the gear unit, while maintenance work is being performed.



Even short operation of the gear unit while maintenance work is being carried out can cause accidents, if the safety devices are shut off.

☞ Make sure that all safety devices are mounted and operative.

Shaft sealing rings

Shaft sealing rings seal the gap between the housing and the rotating shafts. They are wearing parts which have to be replaced when they reach the permissible limit of wear.

The service life of shaft sealing rings is influenced by a multitude of parameters.

These are among others:

- peripheral speed at the sealing lip
- temperature
- internal pressure in the gear unit
- viscosity of the lubricant
- chemical analysis and additivation of lubricants
- mounting situation (lubricant supply to the sealing lip)
- particles and/or metallic fines in the lubricant
- material of the shaft sealing ring
- external pollution
- damage incurred during replacement

This multitude of influencing parameters makes it practically impossible to predict the precise service life without making experiments simulating the respective application. As the service life of the shaft sealing rings is subject to the above mentioned fluctuations, it is absolutely necessary to check them at regular intervals. Only regular checks can prevent unnoticed loss of lubricant in the gear unit.



ATLANTA

安装, 操作, 维护说明书

BWS 119

4100-001-12.93

Abteilung	
Änd. Index	
Datum	1.1.2017

Series 58 HP Servo Worm-Gear Units
Translation from the German original

Seite	12	24
Name	Wes	29.04.15
freigegeben	Tim	29.04.15

Whenever the shaft sealing is replaced you should also check the running surface of the lips of the seal on the shaft. If seizure marks are visible, the shaft must be repaired or replaced. Alternatively it is possible to insert the shaft sealing ring in a position somewhat axially displaced so that the lip of the seal runs in a practically new position.

Maintenance intervals

Provided that the gear units are used properly as described in the catalogue, the Series 58 HP servo worm-gear units are designed and built for 12,000 h of operation except for wearing parts such as the bearings and the shaft sealing rings.

The following maintenance works should be performed for the series 58 HP servo worm-gear units.

Interval	What should be done?
Every 2000 machine hours, but at least every six months	<ul style="list-style-type: none"> • check the running noise to detect possible defects in the bearings • inspect the motor flanges for leakage • inspect the seals for leakage. Should any leakage be detected, please contact us.

Changing the gear oil

A sufficient amount of lubricant is absolutely necessary for safe operation. The lubricant ensures that dry running and consequently excessively high surface temperatures, wear (play), or mechanic sparking is prevented in the metallic contacts. The main danger is an unnoticed loss of lubricant. Therefore the gear units must be regularly checked for loss of lubricant.

ATLANTA HP servo worm-gear units are filled with synthetic polyglycol oil.

Under the following preconditions this is a lifetime lubrication:

- The layout of the gear unit is strictly in accordance with the guidelines given in the ATLANTA catalogue (www.atlantagmbh.de).
- The gear unit is exclusively operated within the permissible characteristic and limit values (www.atlantagmbh.de).
- The operator checks the gear unit regularly (every 2 weeks) for loss of oil.
- The surface temperature must not exceed max. 80°C during operation.
- ☺ In the case of operation with mostly low input speeds (peripheral speed of the worm $v < 0,5$ m/s) we recommend to change the lubricant every two years.

The gear unit is supplied filled with synthetic lubricant (viscosity class ISO VG 220). The type of lubricant filled in is indicated on the oil-rating plate.

For quantity of lubricant to be filled in see table below.



ATLANTA

安装, 操作, 维护说明书

BWS 119

4100-001-12.93

Abteilung	
Änd. Index	
Datum	1.1.2017

Series 58 HP Servo Worm-Gear Units
Translation from the German original

Seite	13	24
Name	Wes	29.04.15
freigegeben	Tim	29.04.15



Synthetic oils are not miscible with mineral oils.

We recommend to use the following gear unit lubricants:

Gear oil for general use

Manufacturer	Lubricant	Internet adresse
Klüber	Klübersynth GH6 – 220	www.klueber.de

Order code for 1 liter of Klübersynth GH6-220: 65 90 010

Gear oil for food-processing and pharmaceutical

Manufacturer	Lubricant	Internet adresse
Klüber	Klübersynth UH1 6 – 220	www.klueber.de

Order code for 1 liter of Klübersynth UH1 6-220: on request

Gear unit centre distance	Oil quantity
50 mm	0.3 l
63 mm	0.5 l
80 mm	1.2 l
100 mm	2.0 l
125 mm	4.0 l



Extended intensive contact with synthetic grease and synthetic oils can lead to skin irritation.

☞ Avoid extended contact with oils and/or grease and clean any oil-polluted patches of skin thoroughly.



Hot oil can scald you.

☞ Protect yourself against contact with hot oil when changing the oil.



Blending different lubricants can deteriorate the lubrication characteristics. This may cause damage to the gear unit.

☞ Make a complete change of lubricant (including rinsing) when you wish to use another lubricant.



Mineral oils reduce the transmission efficiency and must not be used without consulting ATLANTA.



Lubricants (oils and fats) are dangerous substances which may pollute soil and water.

☞ Collect drained off lubricant in suitable containers and dispose of them in accordance with the applicable national regulations.

☞ Prevent lubricants from penetrating into drain pipes, the sewerage, and water.



ATLANTA

安装, 操作, 维护说明书

BWS 119

4100-001-12.93

Abteilung	
Änd. Index	
Datum	1.1.2017

Series 58 HP Servo Worm-Gear Units
Translation from the German original

Seite	14	24
Name	Wes	29.04.15
freigegeben	Tim	29.04.15

Readjusting the circumferential backlash:

The smallest possible circumferential backlash was adjusted at the factory. After a certain operating time the backlash may increase due to wear. The backlash can be reduced again by moving up the eccentrically supported output shaft (= worm wheel) .

We recommend to proceed as follows:

- ☞ Let the gear unit cool down before starting the maintenance work.
- ☞ Maintenance work may only be carried after shutting off the machine and securing it against accidental movements.
 - Screw off the hexagon socket head screws from the two lateral covers, without, however removing the covers, because otherwise oil would leak out.
 - Rotate both covers in the direction of the next higher number by one threaded hole each. If an finer adjustment is needed, turn the covers in the other direction to the oppositely next higher marking.
- Rotate both covers in the same amount. Otherwise the gear unit would be damaged.
- Check the circumferential backlash by turning the worm-wheel at least by one full revolution.
- ☺ Avoid initial tension of the gearing.
- ☺ If necessary, repeat the readjusting procedure.
- Retighten the hexagon socket head screws to the proper torque (see table) by turning them uniformly crosswise.
- ☞ Readjusting the circumferential backlash leads to a slight change of the gear-unit centre-distance. It may therefore become necessary to align the gear unit again.

Gear-unit centre-distance	Screw size	Strength class of screws	Tightening ^{*)} torque	Tightening ^{*)} torque
50 mm	M 5	8.8	3.5 Nm	31 lbf in
63 mm	M 8	8.8	19 Nm	168 lbf in
80 mm	M 8	8.8	19 Nm	168 lbf in
100 mm	M 8	8.8	19 Nm	168 lbf in
125 mm	M 10	8.8	40 Nm	354 lbf in

^{*)} Use only calibrated torque wrenches! If the tightening torque is too low, the required torque will not be transmitted. If the tightening torque is too high, the screws will be overstrained and become unusable. Secure the screw using suitable adhesive (e.g. Loctite 243).

Cleaning

- ☞ Dust deposits of more than 5 mm thickness on the gear unit are not permissible because they increase the surface temperature which may result in the ignition of the dust.



Cleaning with high-pressure cleaner is not permitted because it destroys the sealing rings so that water may penetrate into the gear unit causing premature failure of the gear unit.



Cleaning with solvents is permissible only if these have been released by the company ATLANTA Antriebssysteme E. Seidenspinner GmbH & Co. KG in writing.



ATLANTA

安装, 操作, 维护说明书

BWS 119

4100-001-12.93

Abteilung	
Änd. Index	
Datum	1.1.2017

Series 58 HP Servo Worm-Gear Units
Translation from the German original

Seite	15	24
Name	Wes	29.04.15
freigegeben	Tim	29.04.15

Mounting instruction



Mounting works may only be carried out by skilled or specially trained personnel.

Preparing the installation

☞ Check the gear unit for damage or soiling on the outside.



A damaged or dirty gear unit must neither be installed nor operated.



The gear unit, especially the area of the seals, must not be cleaned with sharp-edged objects or cleansing liquids.

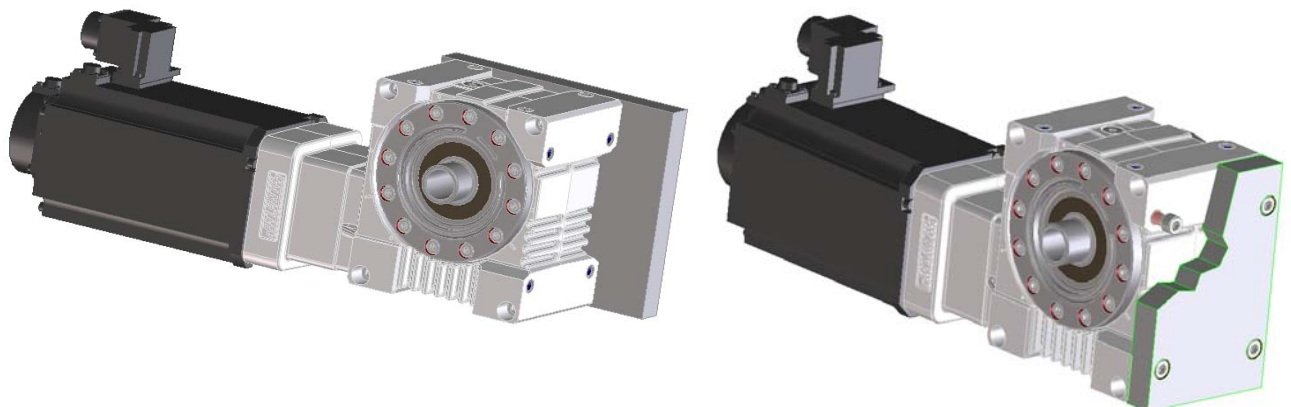


If the gear unit is cleaned in the area of the seals with a cleansing agent approved by ATLANTA Antriebssysteme E. Seidenspinner GmbH & Co. KG, the cleaned surfaces must be protected again against corrosion.

Installation of worm-gear units

There are 5 machined mounting faces with sufficiently dimensioned pre-drilled fixing holes and tapped holes. It is important to ensure tension-free mounting. Use all fixing holes of the pertinent contact face. Hexagon nuts or screws are to be tightened to the specified torque and secured. The correct tightening torque can be seen from the respective tables. Special attention should be paid to the strength class of the screws and the material of the supporting surfaces.

- ☞ If the additional forces are to be fully used, the gear unit should be attached to the largest contact face, i.e. to one of the two lateral surfaces.
- ☞ Mounting the worm-shaft (input drive shaft) in a lateral and/or inferior position is ideal with a view to lubrication. Mounting the shaft in a top position will reduce the driving power by about 10%. Avoid to install the unit with the motor hanging downward. In this position leakage oil could get into the motor.





ATLANTA

安装, 操作, 维护说明书

BWS 119

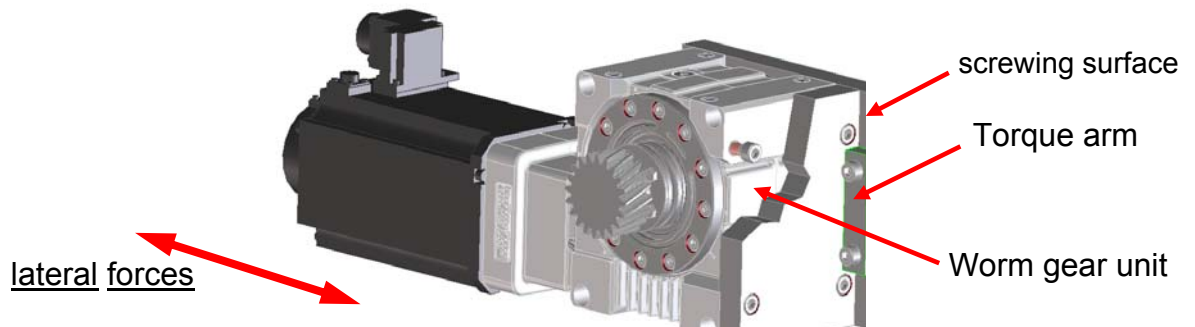
4100-001-12.93

Abteilung	
Änd. Index	
Datum	1.1.2017

Series 58 HP Servo Worm-Gear Units
Translation from the German original

Seite	16	24
Name	Wes	29.04.15
freigegeben	Tim	29.04.15

☞ For precise positioning and stability of the gear unit we recommend to provide an torque arm on the front face of the gear unit.



CAUTION

Any additional attachments and/or modifications of the gear unit are not permissible unless approved by ATLANTA in writing.

CAUTION

Do not use the gear unit at ambient temperatures of $< -10\text{ °C}$ and $> 40\text{ °C}$.

- ☞ The most suitable point for controlling the max. permissible surface temperature of the housing is in the area of the input-side worm-shaft bearing.
- ☞ The vertical arrangement of the shaft (input or output vertically downward) is only permissible with an oil level monitor stopping the gear unit in case of a sudden loss of oil.



ATLANTA

安装, 操作, 维护说明书

BWS 119

4100-001-12.93

Abteilung	
Änd. Index	
Datum	1.1.2017

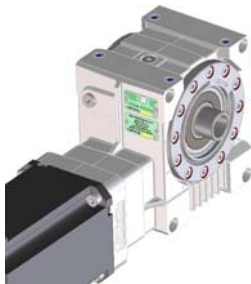
Series 58 HP Servo Worm-Gear Units
Translation from the German original

Seite	17	24
Name	Wes	29.04.15
freigegeben	Tim	29.04.15

Mounting the output drive shaft (Version with shrink-disc)

For the output drive shaft we recommend tolerance h6 (DIN ISO 286). The material must have a minimum yield point of 385 N/mm².

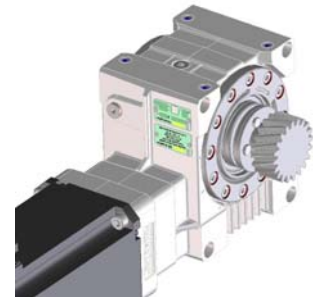
If you have bought the output drive shaft from ATLANTA and if it is not supplied already mounted, we recommend to proceed as follows:



Gear unit without output shaft



Gear unit with shrink-disc set



Gear unit with output shaft and shrink-disc set

- Clean the seat of the hollow shaft and oil it slightly (do not use grease). Wipe off any excess oil with a rag.
- Slide the shrink-disc onto the hollow shaft.
- ☺ Do not tighten the screws beforehand!
- Clean the shank of the output drive shaft and oil it slightly. Wipe off any excess oil with a rag.
- Push the output drive shaft into the bore right up to the stop.
- Attach the shrink-disc by evenly tightening the screws one after the other (not crosswise).
- Make sure that the two clamping discs are plane parallel.

Several passes are necessary until the screws are tightened to the specified torque acc. to the table below.

Order code	Tightening torque *)
80 83 030	4 Nm
80 84 036	12 Nm
80 85 050	12 Nm
80 86 062	12 Nm
80 87 080	30 Nm

*) Use only calibrated torque wrenches! If the tightening torque is too low, the required torque will not be transmitted. If the tightening torque is too high, the screws will be overstrained and become unusable.



Soiling may impede the transmission of the torque. Do not disassemble the shrink-disc clamping set before mounting it.



If the gear unit is cleaned in the sealing area with a cleansing agent approved by ATLANTA Antriebssysteme E. Seidenspinner GmbH & Co. KG the surfaces cleaned must be protected again against corrosion.



Abteilung	
Änd. Index	
Datum	1.1.2017

Series 58 HP Servo Worm-Gear Units

Translation from the German original

Seite	18	24
Name	Wes	29.04.15
freigegeben	Tim	29.04.15



The forces of the shrink-disc can deform the hollow shaft. Always install the machine shaft before tightening the clamping screws of the shrink-disc.

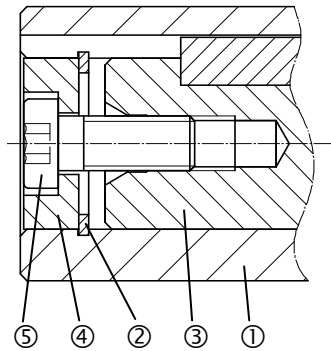


Slanting the shafts may cause damage. Make sure that the hollow shaft and the machine shaft are aligned.

⚠ When used in areas with explosion hazard the improper installation may lead to inadmissibly high temperatures. Check the tightening torques and axial fixing after 10 hours under operating conditions.

Mounting the output drive shaft (Version with key)

Unless the output pinion shaft comes already fully assembled, we recommend to proceed as follows:



- Clean the seat and the plane surface of the hollow shaft ① and rub it in with MoS₂^{*)}-powder or grease (reduces fretting corrosion).
- Insert the retaining ring ② into the recess of the hollow shaft ①.
- Push in the output shaft ③ right up to the stop
- Insert the retaining ring ④ from the opposite side up to the stop inside the hollow shaft ①.
- Connect the retaining ring ④ and the output shaft ③ by means of the screw ⑤.
- Secure the screw ⑤ using suitable adhesive (e.g. Loctite 243).

*) Dry lubricant: Improves the sliding properties of machine parts and reduces friction and wear within a wide temperature range; minimum friction with maximum load capacity



gear box with output shaft



insert spring



insert output shaft



assemble washer and screw

Hexagon socket head-screws DIN EN ISO 4762 strength rating 8.8	M5	M6	M12	M16
Tightening torque in Nm ^{*)}	5.5	23	80	195
Tightening torque in lbf in ^{*)}	48.5	203.5	708	1726

*) Use only calibrated torque wrenches! If the tightening torque is too low, the required torque will not be transmitted. If the tightening torque is too high, the screws will be overstrained and become unusable. Secure the screw using suitable adhesive (e.g. Loctite 243).



ATLANTA

安装, 操作, 维护说明书

BWS 119

4100-001-12.93

Abteilung	
Änd. Index	
Datum	1.1.2017

Series 58 HP Servo Worm-Gear Units
Translation from the German original

Seite	19	24
Name	Wes	29.04.15
freigegeben	Tim	29.04.15

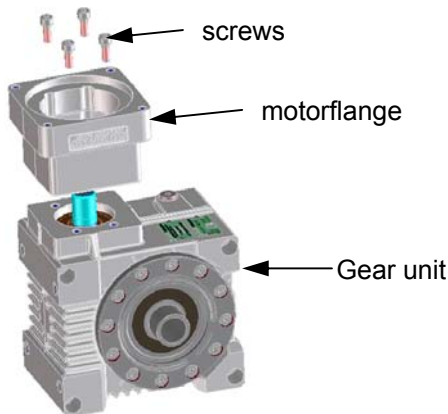


Slanting the shafts may cause damage. Make sure that the hollow shaft and the machine shaft are aligned. Mount the machine shaft in the hollow shaft without using force. Never try to mount it by means of knocking it in. Use only suitable tools and devices.

- ⊕ When used in areas with explosion hazard, improper installation may lead to inadmissibly high temperatures (see ignition danger rating acc. to KGA 102). Check the tightening torques and the axial fixing after 10 hrs work under operating conditions.

Mounting the motor flange

Clean the contact surfaces of flange and gear unit. The flange could be mounted with a slight press fit to the gear unit



Screws should be tightend in severals steps across with defined torque according to table underneth.

Set motorflange to the gear unit and adjust both parts via screw holes and do a precentering. Insert the screws

Hexagon socket head-screws DIN EN ISO 4762 strength rating 8.8	centre distance				
	50mm	63mm	80mm	100mm	125mm
Tightening torque in Nm ^{*)}	19	19	45	45	-
Tightening torque in lbf in ^{*)}	168	168	398	398	-

^{*)}Use only calibrated torque wrenches! If the tightening torque is too low, the required torque will not be transmitted. If the tightening torque is too high, the screws will be overstrained and become unusable.



ATLANTA

安装, 操作, 维护说明书

BWS 119

4100-001-12.93

Abteilung	
Änd. Index	
Datum	1.1.2017

Series 58 HP Servo Worm-Gear Units
Translation from the German original

Seite	20	24
Name	Wes	29.04.15
freigegeben	Tim	29.04.15

Mounting the coupling on the motor shaft

ATLANTA special coupling 65 4X XXX

The clutch is supplied pre-assembled.

- Before mounting the coupling on the motor shaft clean all contact surfaces and coat them with a thin oil film (no grease). Any excess oil should be wiped off with a rag.
- Rub the DIN 5480 profile of the coupling with MoS₂ powder or grease (reduces fretting corrosion).
- If the motor shaft has a key, it must be removed.
- Slide the coupling onto the motor shaft right up to the stop (shoulder or retaining ring).
- Slightly tighten the clamping screws.
- Tighten screws uniformly by turning them alternately (crosswise).
- Check coupling for true running at the reference diameter ($f_r < 0.04$ mm).
- Several passes are necessary until the screws are tightened to the tightening torque specified in the table below.
- Make sure that the width of the gap between coupling and pressure surface remains uniform.
- Check at reference diameter for true running.



65 4X XXX

Order code of coupling	Tightening torque ^{*)}	
	65 43 xxx	7 Nm
65 44 xxx	10 Nm	88,5 lbf in
65 46 xxx	10 Nm	88,5 lbf in
65 47 xxx	25 Nm	221 lbf in

^{*)} Use only calibrated torque wrenches! If the tightening torque is too low, the required torque will not be transmitted. If the tightening torque is too high, the screws will be overstrained and become unusable

When used in areas with explosion hazard, improper installation may lead to inadmissibly high temperatures (see ignition danger rating acc. to KGA 114). Check the tightening torques and the axial fixing after 10 hrs work under operating

When used in areas with explosion hazard, use corrosion-protected screws.



ATLANTA

安装, 操作, 维护说明书

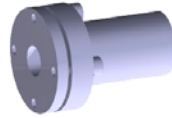
BWS 119

4100-001-12.93

Abteilung	
Änd. Index	
Datum	1.1.2017

Series 58 HP Servo Worm-Gear Units
Translation from the German original

Seite	21	24
Name	Wes	29.04.15
freigegeben	Tim	29.04.15



Clean motor and coupling surfaces

Mount the coupling on the motor shaft and fasten as described

Mounting the motor

- Before screwing on the motor, clean all contact surfaces.
- tooth profile of coupling and tooth profile at gear unit should be greased with MoS₂^{*)} grease.
- Slide the motor with coupling mounted onto the teeth of the input drive shaft and into the gear centering piece so that the plane surfaces touch.
- If necessary, rotate the motor around the motor axle until the clutch and the input shaft teeth mesh.

☞ The motor must slide on easily.

☞ There must not be any gap between the motor and the gear unit flange.



Mounting motors having longer shafts than permissible for the respective gear unit leads to tensions which damage the motor and the gear unit. Check the interfering edges by measuring out or by checking the dimension according to our catalogue data and the motor manufacturer's data.

- Screw motor and gear unit together. Hexagon nuts or screws are to be tightened to the specified torque and secured. The correct tightening torque can be seen from the respective tables. In this context it is particularly important to pay special attention to the strength class of the screws and the material of the supporting surfaces.
- The motor can be mounted optimally centered by positioning the gear unit in such a way that the worm-shaft is standing up vertically.
- ☺ Use screws with an effective length of at least 1.6 x thread diameter.
- ☞ When used in areas with explosion hazard, use corrosion-protected screws.

*) Dry lubricant: Improves the sliding properties of machine parts and reduces friction and wear within a wide temperature range; minimum friction with maximum load capacity

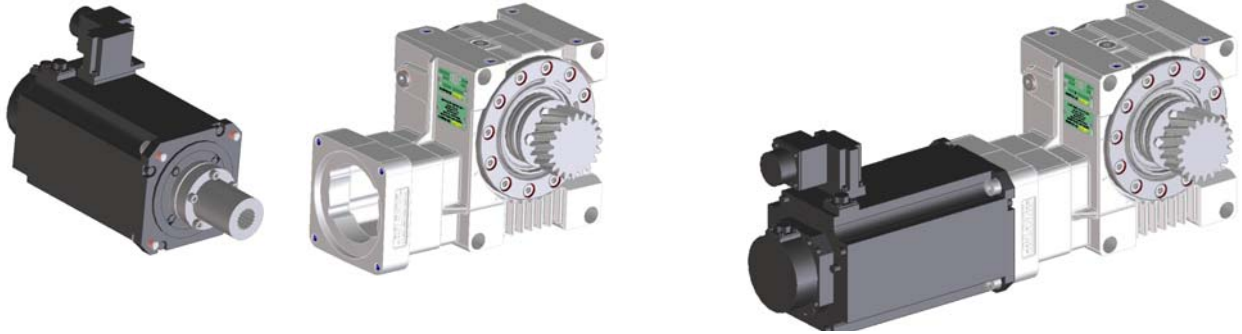


Abteilung	
Änd. Index	
Datum	1.1.2017

Series 58 HP Servo Worm-Gear Units

Translation from the German original

Seite	22	24
Name	Wes	29.04.15
freigegeben	Tim	29.04.15



Clean screwing surfaces on motor and gear unit
rub clutch profile with MoS₂*) powder or grease

Screw motor to gear unit,
ensure proper tightening torque

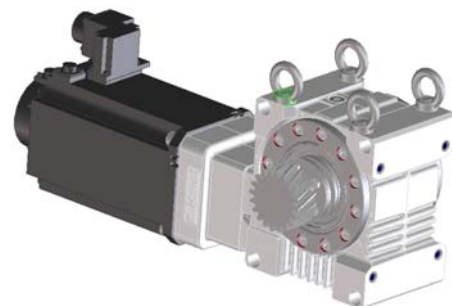
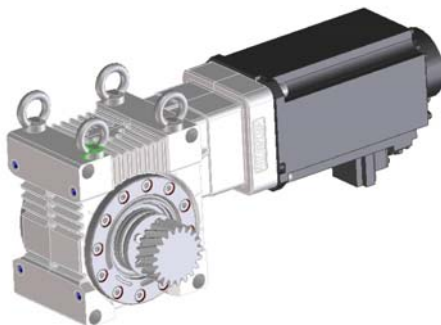
*) Dry lubricant: Improves the sliding properties of machine parts and reduces friction and wear within a wide temperature range;
minimum friction with maximum load capacity

Transport and handling

There are no special holes or threads provided for transporting and handling the gear unit. There are, however, numerous fixing threads available in the gear housing permitting to screw in eye-bolts so that it is possible to handle the gear unit safely.

- ☞ Observe all safety regulations in connection with transport and handling using lifting gear.
- ☞ Make sure that the load is handled and set down slowly and carefully.

Gear unit centre-distance	Weight of gear unit without attachments
50	≈ 8 kg
63	≈ 13 kg
80	≈ 30 kg
100	≈ 35 kg
125	≈ 70 kg





ATLANTA

安装, 操作, 维护说明书

BWS 119

4100-001-12.93

Abteilung	
Änd. Index	
Datum	1.1.2017

Series 58 HP Servo Worm-Gear Units
Translation from the German original

Seite	23	24
Name	Wes	29.04.15
freigegeben	Tim	29.04.15

Storage

If the gear unit is not installed immediately after its delivery, the following measures are to be taken:

- ☞ Store the gear unit with horizontal hollow output shaft and horizontal input drive shaft (worm shaft) on top in such a way that - except for the supporting surface - it cannot come into contact with any other objects.
- ☞ Protect the gear unit against environmental influences (ozone, UV light, electric welding, dust, dirt, moisture, temperature fluctuations [0°C to +30°C], shocks etc.).
- ☞ Attachments, e.g. clutch or output shaft, are to be stored separately.
- ☞ Protect the steel parts against corrosion.
- ☞ As logistics principle for store-keeping we recommend the „first in – first out“ principle.
- ☺ Occasionally turning the input shaft of the gear unit will facilitate the start-up.
- ☞ The max. storage time under such conditions is 2 years.

List of problems (Troubleshooting)

You should take remedial measures at once, if you become aware of oil loss, increased operating noises, or increased operating temperatures.

Any disturbances occurring during the warranty period requiring the repair of the gear unit, may only be remedied by ATLANTA.

We recommend to ask for our assistance also after the expiration of the warranty period.



Always shut down the gear unit during the removal of disturbances. Secure the driving unit against inadvertant starting. Post a notice at the switching position.

Problem	Possible cause	Remedy
Increased operating temperature	Layout too weak; Speed / torque too high	Check the technical data
	Motor heats up the gear unit	Check the attachment circuit, replace the motor, or provide an insulation between motor and gear unit
	Ambient temperature too high	Ensure adequate cooling
	Duty cycle too long	Check the technical data
Increased operating noise	Defective bearing	Please contact us
	Defective tooth system	
	The fixing of the gear unit has loosened	Tighten screws/nuts with the specified tightening torque. Replace defective screws/nuts
	Adjustment of controller	Check the servo-motor parameters
Loss of oil	Leakage	Get into contact with us
	Apparent leakage	A temporary leakage due to much grease between sealing lip and protective lip . The surplus grease can penetrate outside as an apparent leakage



ATLANTA

安装, 操作, 维护说明书

BWS 119

4100-001-12.93

Abteilung		Series 58 HP Servo Worm-Gear Units Translation from the German original	Seite	24	24
Änd. Index			Name	Wes	29.04.15
Datum	1.1.2017		freigegeben	Tim	29.04.15

Disposal



Please observe the national regulations!

If required, dispose of the individual components separately depending on their nature and any existing specific national regulations, e.g. as:

- Steel scrap
 - gearwheels
 - shafts (hollow shafts)
 - antifriction bearings
 - cast iron parts
 - coupling
- Aluminium scrap
 - housing elements
 - adaptor elements
- Bronze scrap
 - worm-wheel (separated from hollow shaft)
- Collect waste oil and dispose of as directed

ATLANTA does not accept liability for any damage to the transmission or any consequential damage, if these instructions are not observed.